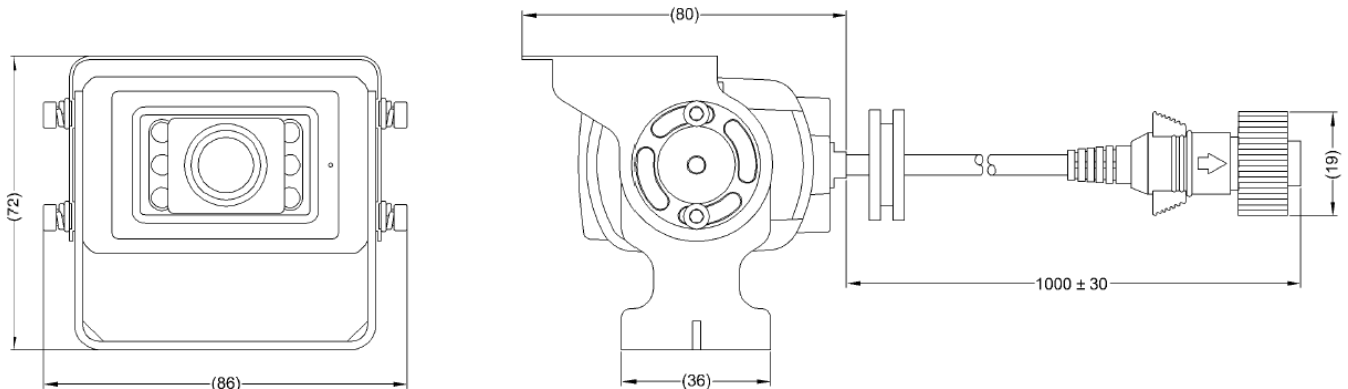


Product Specification



Brigade Model Number: BE-900C | BE-990C | BE-901C | BE-991C
Part Number: 5277 | 5279 | 5278 | 5280



Dimensions: mm

Environmental Specifications:

- Shock Rating: 51 G (All 3 Axis - 6 directions)
- Vibration Rating: 8.5 G (All 3 Axis - 32 hours each)
- Camera IP Rating: IP69K / IP68
- Connector IP Rating: IP67
- Operating Temperature: -40° to +70°C
- Storage Temperature: -40° to +85°C

Approved Standards:

- CE - (EN 61000-6-3:2007 + A1:2011 + AC:2012
EN 61000-6-2:2005 + AC:2005)
- FCC - (47 CFR Part 15 Subpart B)
- 'E' Mark - (ECE Regulation 10 Rev 05)
- Ingress Protection - (ISO 20653:2006)
- Elements of ISO 16750:2012
- RoHS 2
- WEEE

Technical Specifications:

- Operating Voltage: 12 Vdc \pm 2Vdc
- Current Consumption: \leq 365mA @ 12 Vdc
- Power Consumption: \leq 4.5 Watts @ 12 Vdc
- Imaging Devices: CMOS - 1/3" SONY
ISP - Next Chip
- TV System:
 - BE-900C / BE-990C: CVBS - PAL
 - BE-901C / BE-991C: CVBS - NTSC
- Picture Elements: 1297 (H) x 979 (V)
- Horizontal Visual Resolution:
 - BE-900C / BE-990C: 400 TV Lines
 - BE-901C / BE-991C: 350 TV Lines
- Lens Focal Length: 2.8mm \pm 5%

Technical Specifications Continued...

- Required Illumination: 0 Lux (IR LEDs ON)
- Illumination Area: Approx. 7m (L) x 3m (W)
- Viewing Angle:
 - BE-900C / BE-990C: 96° (H), 64° (V), 110° (D)
 - BE-901C / BE-991C: 100° (H), 65° (V), 106° (D)
- Assembled Weight: 360 Grams
- Video Output: 1.0 Vp-p / 75 Ω
- Length of Cable: 1000 \pm 30mm
- Assembled Dimensions:
86mm (W) x 80mm (D) x 72mm (H)
- Housing Material: Die cast Aluminium
- Camera View: Selectable Mirror/Normal
- Finish: Black

Features:

- Integrated image correction for wide viewing angle (fisheye) lens distortion
- Automatic White Balance
- Fixed IRIS - Aperture F2.5
- 5 x High Power Infrared LEDs enabled by integrated Day / Night sensor
- Integrated Heater
- Integrated Microphone (not for BE-990C / BE-991C)
- High Quality SONY CMOS & Next Chip ISP
- BE Type Male Connector

Package Contents:

- 1 x BE-9XXC-C - Camera only
 - 1 x BE-900C-C for CVBS (PAL)
 - 1 x BE-901C-C for CVBS (NTSC)
 - 1 x BE-990C-C for CVBS (PAL) without audio
 - 1 x BE-991C-C for CVBS (NTSC) without audio
- 1 x BE-89XC.BE-X0XC-BKT - Bracket
- 1 x BE-89XC.BE-X0XC-SS - Sunshield
- 1 x BE-8/2XXC-FIX - Fixing Pack
- 1 x BE-9XXC-IG - Installation Guide